



PCR CABINET



PROTECTS OPERATING AREA
FROM EXTERNAL CONTAMINMENT

PCR cabinet is designed for work with DNA-samples in a pure environment when conducting PCR diagnostics

DISTINCTIVE FEATURES:

All-welded carcass of the cabinet

PCR cabinet's tabletop is of stainless steel

PCR cabinet is painted with high-quality powder enamel of light colors, resistant to disinfectants

When operating in the PCR cabinet the UV unit slides under the tabletop

UV irradiation time is set up with a timer that also indicates the cumulative work time of the UV unit

Front sash lifting mechanism allows fixing it in two positions which eases the process of disinfection of the chamber and of the sash itself from both sides. The work chamber does not have any fixture elements and protrusions

Lighting unit of the PCR cabinet is located outside the work chamber

PCR cabinet has a built-in socket for connection of the laboratory devices



BAV-PCR-"Laminar-S"
code 620.100



Does not
provide operator
and environment
protection





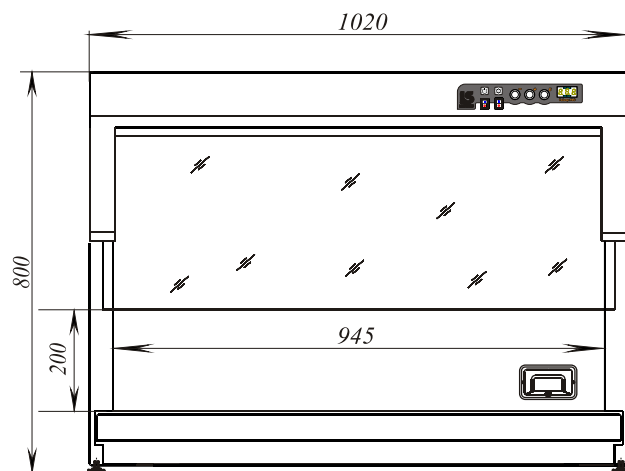
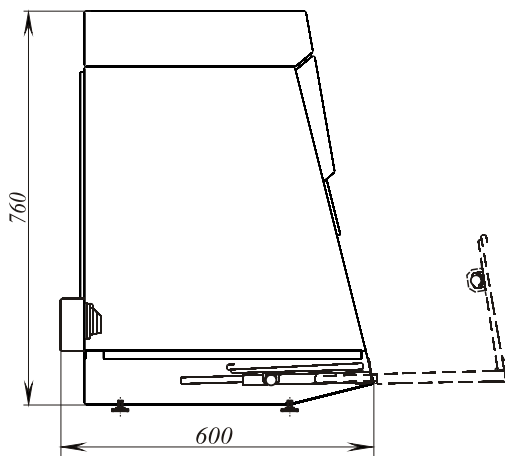
PCR CABINET



MAIN PARAMETERS AND DIMENSIONS

BAV-PCR-“Laminar-S.”	620.100
Dimensions of the assembled cabinet without stand, mm (WxDxH)	1020x600x800
Dimensions of the assembled cabinet with stand*, mm (WxDxH)	1020x750x1400
Dimensions of the work chamber, mm (WxDxH)	1015x530x535
Mass of assembled cabinet without the stand, kg, not more than	50
Input power of the cabinet, W, not more than (exclusively of the load on the built-in outlets)	100

* given model does not include stand in the basic configuration of the cabinet (can be supplied as an additional option)



ADDITIONAL OPTIONS:

- additional set of sockets (installed on the left side)
- frame stand (packed with cabinet)/(in a separate package)



www.lamsys.com

LAMSYSTEMS GmbH

Campus Berlin-Buch
Robert-Rössle-Str. 10
D 79 (Erwin-Negelein-Haus)
13125 Berlin
Germany

Tel.: +49 (0)30 9489 2080
Fax.: +49 (0)30 9489 2081
info@lamsys-euro.com

Published in 2016
Manufacturer reserves the right to change technical specifications and construction design in the process of further technical improvement of equipment.