



PRODUCT
PROTECTION



LAMSYSTEMS

VERTICAL LAMINAR FLOW CABINET



The Cabinet is designed for protection of agents and materials inside the cabinet working chamber from external and cross-contamination in the ductless pure air environment.

The Cabinet is used for work with substances which are not hazardous for the personnel health.

The Cabinet is used to equip individual working places in medical, pharmaceutical and other institutions working with high requirements for air purity in the working zone.



LAMSYSYSTEMS

Vertical Laminar Flow Cabinet

BAVnp-01-Laminar-S-1.2

APPLICATION

- Quality control in pharmaceutical and food industry;
- Ophthalmological solution preparation;
- Cultural media preparation;
- Optical mechanics manufacture;
- Electronics industry;
- Pharmaceutical industry.

DISTINCTIVE FEATURES

The fan motor microprocessor control system Sintell-1 allows to minimize the power consumption of the cabinet, to reduce the level of acoustic and electromagnetic noise.

The system of air consumption static regulation AIS LS automatically regulates air balance in the working chamber, changing the number of fan revolutions according to the level of filters contamination. Reaching the threshold value of contamination the system activates the warning system.



1200mm 1500mm 1800mm

- The illumination block is taken out of the working chamber and does not initiate air flow turbulence.
- Coloring of the cabinet is made with the powder enamel proof for disinfectant solutions.
- The control unit with LCD display indicates switching on the systems, their possible malfunctions, the operation mode chosen and the technological timer.
- HEPA filter is held by springs providing filter leak tightness for the whole lifetime.
- The electronic shield panel provides easy operation and disinfection.

PRODUCT
PROTECTION

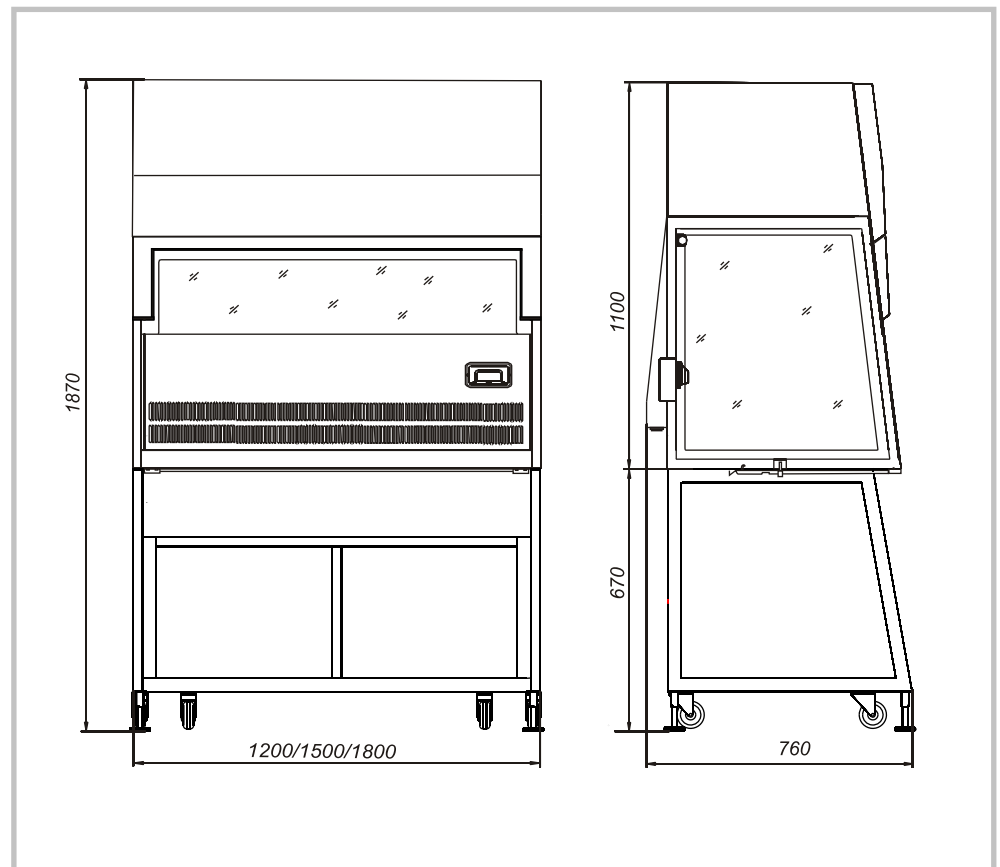
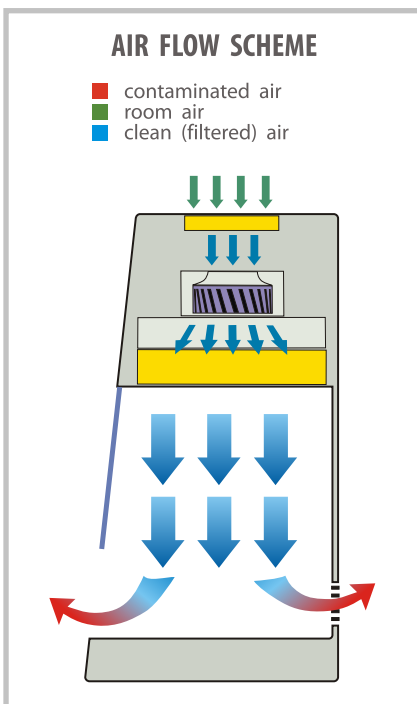


PERFORMANCE CHARACTERISTICS OF THE CABINET

Air cleanliness class in the working chamber of the cabinet for suspended particles content – according to GMP – according to ISO 14644-1	A 5 ISO
Class of supply HEPA filter in accordance with the EN 1822-1	H14
Class of prefilter in accordance with the EN 779	G4
Airflow pattern characteristics in the working chamber of the cabinet	downflow unidirectional (laminar)
Average downflow velocity in the working chamber: – factory specified velocity, m/s – recommended range of velocity for independent adjustment whereby the uniformity of air flow is kept guaranteed, m/s	0,40 0,25 – 0,50
Illuminance level in the working zone, Lux, not less than	1000
Noise level at 1m distance from the cabinet (at the centerline of the working opening, with the front window sash in the working position), dB, not more than	55

PARAMETERS AND DIMENSIONS OF THE CABINET

BAVnp-01-Laminar-S	412.120	412.150	412.180
Dimensions of the cabinet assembled with the stand /WxDxH/, mm	1200x760x1870	1500x760x1870	1800x760x1870
Dimensions of the working zone /WxD/, mm	1130x625x660	1430x625x660	1730x625x660
Mass of the cabinet assembled with the stand, kg, not more than	160	186	223
Maximum input power of the cabinet excluding the load on the built-in outlet unit, W, not more than	410	410	550
Accepted load on the built-in outlet unit, W, not more than	600	600	500



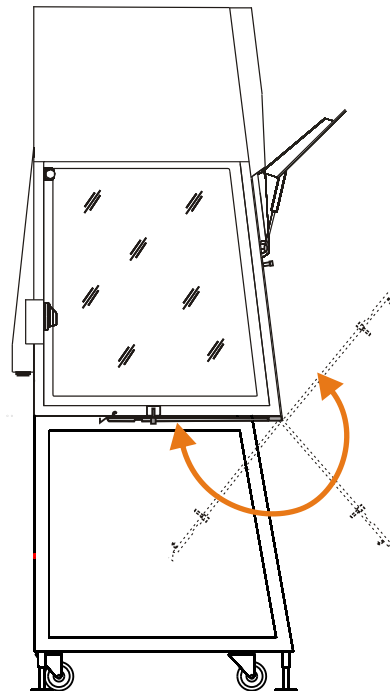


VERTICAL LAMINAR FLOW CABINET



PRODUCT PROTECTION

BAVnp-01-Laminar-S-1.2



The protection plate is designed to prevent direct exposure of operator to UV radiation during the disinfection of the working chamber by the UV irradiation. Also the protection plate is recommended to place when the Cabinet is not used for a long time.

Tel.: +49 (0) 30 9489 2080
Fax.: +49 (0) 30 9489 2081
info@lamsys-euro.com

www.lamsys.com



LAMSysteMS GmbH

Campus Berlin-Buch
Robert-Rössle-Str. 10
D 79 (Erwin-Negelein-Haus)
13125 Berlin
Deutschland/Germany